

## R119 General Industrial Pilot Operated Regulators

- Adapted for control by a remote or distant small pilot regulator. Ideal for maximum capacity requirements in applications where units are not readily accessible
- High flow performance featuring rugged design for the most demanding applications
- Ideal for those installations calling for constant pressure with wide variation in flow



R119 (06-12)



R119 (16-20)

Operating information		
	R119-06J R119-08J R119-10J R119-12J	R119-16J R119-20J
Pressure rating, maximum:	300 PSIG (17.2 bar)	300 PSIG (17.2 bar)
Temperature rating:	40°F to 125°F (4.4°C to 52°C)	40°F to 125°F (4.4°C to 52°C)
Flow capacity SCFM:	3/4"; 300 1"; 300 1-1/4"; 500 1-1/2"; 500	2"; 1800 2-1/2"; 1800

### R119 Pilot Operated Regulators



Port size	Gauge	Part number (NPT), relieving	
		R119-06J, R119-08J, R119-10J, R119-12J 0-125 PSIG reduced pressure	R119-16J, R119-20J
3/4"	No	<b>R119-06J/M2</b>	
1"	No	<b>R119-08J/M2</b>	
1-1/4"	No	<b>R119-10J/M2</b>	
1-1/2"	No	<b>R119-12J/M2</b>	
2"	No		<b>R119-16J</b>
2-1/2"	No		<b>R119-20J</b>

### Material specifications

Description	R119-06J, R119-08J, R119-10J, R119-12J	R119-16J, R119-20J
Body		Aluminum
Body, ring, top plate	Zinc	
Bottom plug, inner valve	Brass	Brass & Stainless
Piston		Aluminum
Seals	Buna N	Buna N

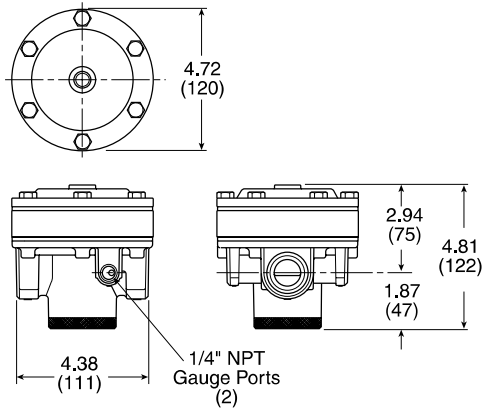
**⚠ WARNING**  
 Product rupture can cause serious injury.  
 Do not connect regulator to bottled gas.  
 Do not exceed maximum primary pressure rating.

#### CAUTION: REGULATOR PRESSURE ADJUSTMENT –

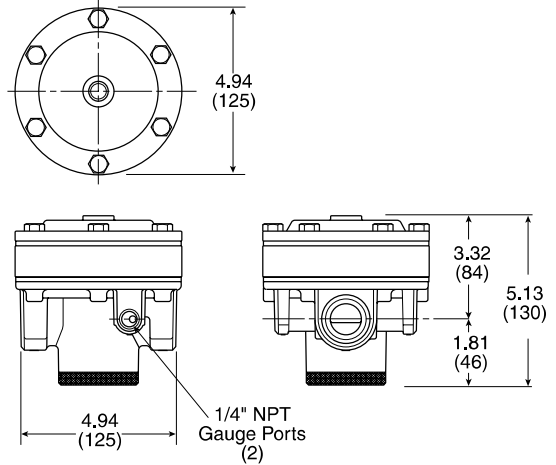
The working range of knob adjustment is designed to permit outlet pressures within their full range. Pressure adjustment beyond this range is also possible because the knob is not a limiting device. This is a common characteristic of most industrial regulators, and limiting devices may be obtained only by special design. For best performance, regulated pressure should always be set by increasing the pressure up to the desired setting.

Most popular.

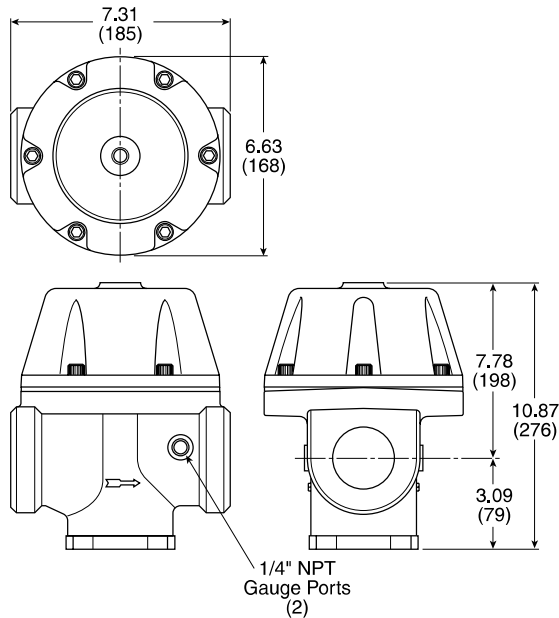
**R119-06J, R119-08J**



**R119-10J, R119-12J**



**R119-16J, R119-20J**



**Service kits**

		R119-06J, R119-08J, R119-10J, R119-12J	R119-16J, R119-20J
Gauges – 50mm (2") round 1/4" center back mount	60 PSIG (0 to 4.1 bar)	<b>K4520N14060</b>	<b>K4520N14060</b>
	160 PSIG (0 to 11.0 bar)	<b>K4520N14160</b>	<b>K4520N14160</b>
	300 PSIG (0 to 20.0 bar)	<b>K4520N14300</b>	<b>K4520N14300</b>
44mm (1-3/4") digital round 1/4" center back mount	0-160 PSIG / 0-11 bar / 0-1.1 MPa	<b>K4517N14160D</b>	<b>K4517N14160D</b>
	Mounting bracket kit		
Repair kits	Piston type regulation (2", 2-1/2")		<b>RK119G</b>
Non-relieving diaphragm –	Valve assembly (3/4", 1")	<b>RK118X20B</b>	
	Valve assembly (1-1/4", 1-1/2")	<b>RK118X20D</b>	
Relieving diaphragm –	Valve assembly (3/4", 1")	<b>RK119X20B</b>	
	Valve assembly (1-1/4", 1-1/2")	<b>RK119X20D</b>	
Repair kits	Relieving		